

	Standard Bore	Piston Diameter	Bore Diameter
Cylinder Block Maximum out of Roundness is 0.071 mm (.0028")		A 99.485 - 99.495 mm	99.505 - 99.515 mm
		B 99.475 - 99.485 mm	99.495 - 99.505 mm
	0.061 mm O.S.	A 99.546 - 99.556 mm	99.586 mm max
	0.061 mm O.S.	B 99.536 - 99.546 mm	99.576 mm max
	0.25 mm O.S.	99.725 - 99.735 mm	99.755 - 99.765 mm
	0.50 mm O.S.	99.975 - 99.985 mm	100.005 - 100.015 mm
Standard inner diameter of piston pin hole		23.000 - 23.006 mm	

Chart 1 Revised bore specifications for 1999-2004 Subaru 2.5L SOHC engines.

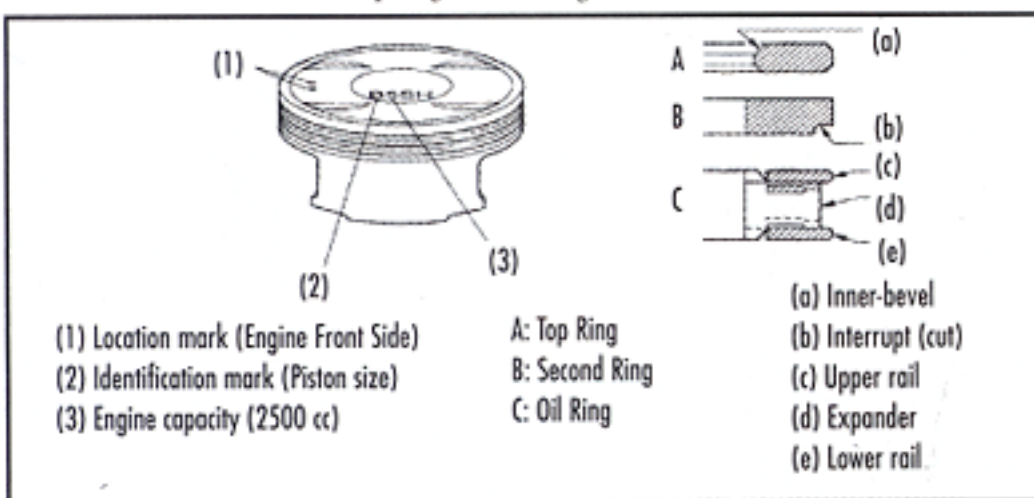


Figure 1 Piston and ring identification chart for 1999-2004 Subaru 2.5L SOHC engines.

YEAR	ENGINE TYPE	MODEL	OVERSIZE PISTON PART NUMBER	GRADE
1999	2.5L SOHC N/A	Impreza/Forester	12006AC930	A
			12006AC940	B
2000-04	2.5L SOHC N/A	All	12006AC910	A
			12006AC920	B
RING SET FOR PISTONS			12033AB010	
GASKET SET FOR REPLACING ONE SIDE ONLY			10104AA040	

Chart 2 Piston and ring part number listing for 1999-2004 Subaru 2.5L SOHC engines.